

803

Explorer

Wacker Neuson Compact Excavator 803



**WACKER
NEUSON**



“Either we will find a way, or we will make a way.” (Hannibal, 3rd century B.C. general)

Small. Extraordinarily powerful. Simply practical.

FOR MANY PEOPLE, THE SMALLEST MACHINE IN THE WACKER NEUSON COMPACT EXCAVATOR RANGE IS SIMPLY THE GREATEST: IT DOES AN INCREDIBLE JOB, ABSOLUTELY WHEREVER IT IS NEEDED, INSIDE OR OUTSIDE.

ALL WACKER NEUSON COMPACT EXCAVATORS ARE SIMPLE TO OPERATE, PROFESSIONAL AND TOUGH, THROUGH AND THROUGH.

Thanks to the special construction of the 803, you can push your way through to areas only a pick and shovel could previously reach, whether indoors or through entrances only as wide as a door or in extremely constricted spaces outdoors, these are all the places where the machine is in its element.

Power supplied by a 3-cylinder diesel engine, hydraulic telescopic chassis and extremely rugged construction make the 803 a machine well-worth discovering in its class.



The 803 is unbeatable, wherever space and schedules are exceptionally restricted.

- 1 Built-in hydraulic safety. The "neck cylinder" arrangement of the hydraulic cylinder gives you the best protection on even the hardest jobs.
- 2 The toughest jobs made easy. The Wacker Neuson 803 really comes into its own in places where machines were unable to go previously. The full power of an extremely capable excavator can now get you right in close, virtually anywhere.
- 3 The width of a door is enough. The telescoping chassis on the 803 has an extra narrow adjustment for special tasks.
- 4 The folding dozer blade always stays connected to the machine and can never be lost.



Excavate right up to the blade and pick up even the smallest parts.



The 700 mm width of the chassis enables it to pass easily through any door, while the extended hydraulic telescopic chassis with an 860 mm external width gives it stability. It can be retracted to a width of 700 mm in no time.

Power, proven technology and protected hydraulics with the lines led through the pivot bracket and inside the stable arm. Perfect protection without a single weak point.

Feel the power and enjoy total control.

The Wacker Neuson 803 "Explorer" is absolutely essential for any rental fleet:

- ease of operation means anyone can start working with it at once.
- the standard one-way auxiliary hydraulic feature allows it to take on jobs with the hammer attachment.

Wacker Neuson Faktoren:

- Professional class power and engine output
- Auxiliary hydraulics are a standard feature
- Foldable dozer blade
- Rugged construction



Utilise the new strengths of our machines and experience cutting edge power.



One-way hydraulics are a standard feature. Ideal for operating the specially matched Wacker Neuson hammer.

From the engine to the hydraulics and down to the controls: everyday practical challenges faced on the job have now found their master. A "little giant with truly professional performance".

The tried and tested 3-cylinder diesel engine is really packed with energy: Efficient, economic and reliable.

Thanks to the superior hydraulics and engine power on the 803, the powerful and perfectly matched Wacker Neuson hydraulic hammer can be employed.



Easily managed and highly effective – The 803 has all the features of a cult machine.

The 803 is a true favourite with contractors, rental customers and all other users, who can immediately make full use of its enormous potential. The reduction of excessive design on the control panel is a clear indication of this – it could not be more compact and concentrated.

Service and maintenance is reduced to a minimum – simply open the engine cover and all technical components are accessible for service and maintenance work. This saves time and ensures the 803 is back on the job quicker than any other machine.



The broad scope of the 803 – An abundance of profitable areas of operation.

- 1 Operational areas with very narrow access points only are the perfect playgrounds for the 803. In these areas, its compact design really allows it to unfold its true potential.
- 2 New areas of application open up everywhere, especially where work once could virtually only be carried out with a shovel and pickaxe.

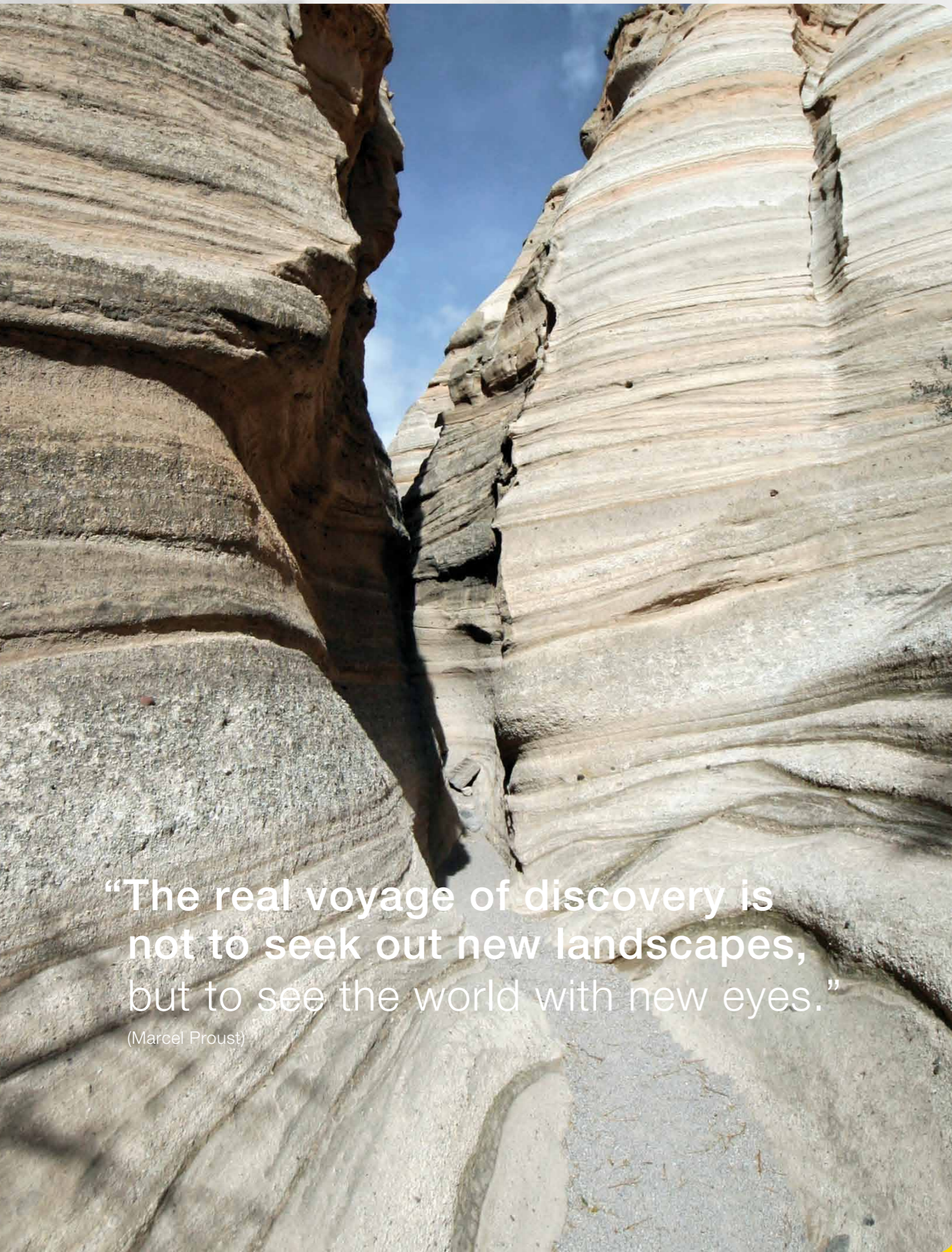


The simplicity of the 803 is exemplary:
Whether on the job, carrying out maintenance or simply making the decision to go for this machine.

The 803 is an intuitive excavator and operating one will immediately become second nature to the user. Its true versatility assures that it remains profitable in the long term. You can get the maximum benefit from it immediately.

3 Getting the job done wherever it is needed and saving time and money in the process: This robust all-rounder from Wacker Neuson is the first choice in gardening and landscaping work.

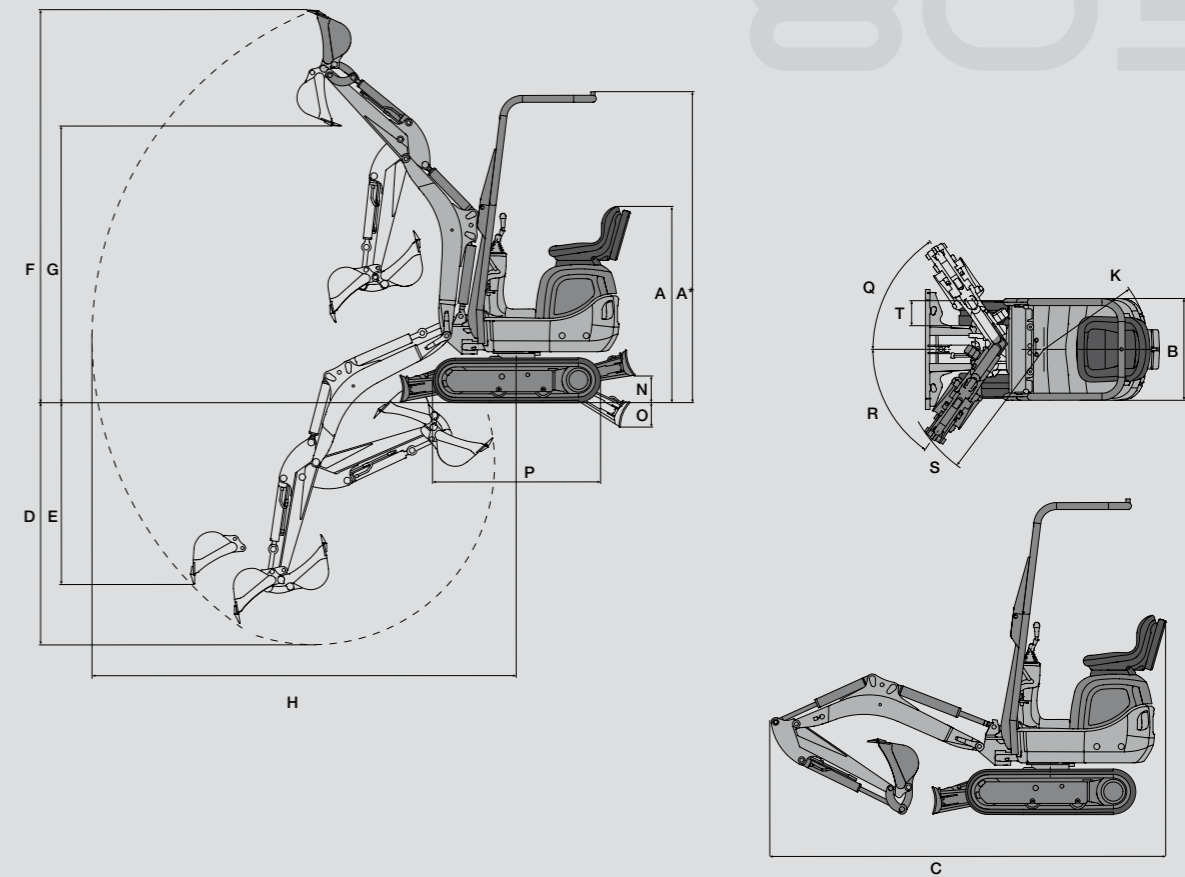




“The real voyage of discovery is not to seek out new landscapes, but to see the world with new eyes.”

(Marcel Proust)

803



DIMENSIONS

A	Height	1427 mm
A*	Height	2261 mm
B	Superstructure width	730 mm
	Running gear width retracted/extended	700 / 860 mm
C	Transport length (arm lowered)	2828 mm
D	Max. digging depth	1763 mm
E	Max. vertical cut-in depth	1320 mm
F	Max. cut-in height	2857 mm
G	Max. dumping height	2012 mm
H	Max. excavation radius	3090 mm
	Max. reach on the ground	3028 mm
K	Tail swivel radius	747 mm
	Max. arm backset (from centre bucket right side)	245 mm
	Max. arm backset (from centre bucket left side)	283 mm
N	Max. lifting height (bulldozer blade above plane)	194 mm
O	Max. poking depth (bulldozer blade above plane)	178 mm
P	Running gear length	1220 mm
Q	Max. pivot angle (arm system to right)	56°
R	Max. pivot angle (arm system to left)	55°
S	Min. arm pivot radius	1039 mm
T	Track width	180 mm

803

OPERATIONAL DATA		803
Transport weight		930 kg
Max. arm crowd force		4,5 kN
Max. breakaway force		8,9 kN
ENGINE		
Make/type		Yanmar 3TNV70
Type		Water cooled model 3-cylinder diesel engine
Max. engine output		13,7 kW (18,6 HP)
Balance wheel output ISO		9,6 kW (13 HP)
Capacity		854 cm ³
Rated speed		2100 min ⁻¹
Battery		12 V, 20 Ah
Diesel tank volume		10 l
HYDRAULIC SYSTEM		
Pumps		2 gear pumps
Discharge capacity		11,4 + 11,4 l/min
Operational pressure for the work and travel hydraulics		170 bar
Operational pressure pivot		70 bar
Hydraulic tank contents		14 l
CHASSIS AND SWIVEL GEAR		
Travel speed		1,8 km/h
Gradeability		30°/58 %
Track width		180 mm
Number of rollers per side		2
Ground clearance		127 mm
Ground pressure		0,25 kg/cm ²
Superstructure rotation speed		8 min ⁻¹
DOZER BLADE		
Width		700/860 mm
Height		200 mm
NOISE EMISSIONS		
Sound power level (LWA) (to 2000/14/EG)		93 dB (A)

LIFT FORCE					
SHORT BUCKET ARM					
	A	2,0 m	2,0 m	2,5 m	2,5 m
B	0°	90°	0°	90°	90°
1,0 m	242	176	204	125	
0,5 m	272	169	203	122	

A = discharge from hub centre
B = load stop height from ground level
The data (in kg) is without the excavation tools and is ISO 10567 compliant. Lengthways data with dozer blade support. Neither 75% of the static tipping load, nor 87% of the hydraulic lift force are exceeded.

STANDARD EQUIPMENT

GENERAL

- Rubber track 180 mm
- Dozer blade
- Working searchlight on lift arm
- Adjustable driver's seat with leather-look cover

ENGINE

- Water cooled 3-cylinder YANMAR diesel engine

HYDRAULICS

- Mechanical controls with lever operation
- ISO compliant valve control
- Auxiliary hydraulic connection for 1 lift arm direction of movement
- Hydraulic telescoping chassis from 700 mm to 860 mm, including dozer blade extension

803 OPTIONAL FEATURES

HYDRAULICS

- Double action auxiliary hydraulics
- Bucket arm tubing for auxiliary hydraulics
- Panolin bio oil
- BP-Biohyd SE46

PAINTWORK

- Special paint 1 RAL (for yellow parts only)
- Special paint 1 no RAL (for yellow parts only)

FURTHER ADVANTAGES

- ROPS fold-back driver safety shackle
- Splinter protection
- Security 24 (2000 h) (warranty extension to 24 months or 2000 operational hours)
- Security 36 (3000 h) (warranty extension to 36 months or 3000 operational hours)

Wacker Neuson compact
equipment offers power
and manoeuvrability on the spot.
Any time, any place.

We consider it a constant duty to ensure that our promise regarding our products and services is fulfilled:

Reliability, Trust, Quality, Reactivity, Flexibility and Innovation.

Compact construction equipment of the Wacker Neuson brand also does the business where others can only stand and watch. Our products prove their worth through quality, power, intelligent hydraulics, compact dimensions, innovative technology, high productivity and reliability. This gives a form of set-up that only Wacker Neuson – the specialist in compact equipment – is capable of.

You too can take advantage of this bespoke capability. The Wacker Neuson compact class is in a class of its own. With success stamped right through it.



**WACKER
NEUSON**