

EZ38

Tracked Zero Tail Excavators



**WACKER
NEUSON**
all it takes!



Excellent maneuverability with zero tail swing

This compact excavator combines the performance of a conventional track excavator with the excellent maneuverability of a zero tail swing machine. When revolved, the tail does not project over the width of the tracks. Offering excellent service accessibility with the tilting operator platform, plus the comfortable and ergonomically designed operating environment improves productivity. This excavator is available in a canopy or full cab version, each with a choice of standard and long dipperstick. Cab models feature standard air conditioning. Powered by the economical Yanmar 3-cylinder diesel engine, the EZ38 track excavator offers rubber track, dozer blade, boom mounted working light and a control pattern change system.

- Zero tail swing for working in confined spaces
- Large operator station for easy access and operator comfort. Adjustable armrests and seat provide the operator with an ergonomic and comfortable working environment.
- Optional Vertical Digging System (VDS): It enables progressive tilting of the superstructure by to 15° to compensate for slopes up to 27%
- Unit equipped with pattern control selector valve for versatility and ease of use.
- Tilttable cabin for easy accessibility to all maintenance components.

EZ38 Technical specifications

Operating data

Shipping weight min.	7,897 lb
Operating weight	8,274 - 9,863 lb
Biting force max.	4,002 lbf
Breakout force max.	7,194 lbf
Digging depth max.	132.2 in
Dumping height	130.7 - 138.5 in
Digging radius max.	217.9 in
L x W x H	189 x 68.5 x 98.5 in

Engine / Motor

Engine / Motor manufacturer	Yanmar
Engine / Motor type	3TNV88F
Engine / Motor	Water-cooled 3-cylinder diesel engine
Displacement	100.2 in ³
RPM / speed	2,400 rpm
Engine performance acc. to ISO	24.4 hp

Battery

Battery	74 CCA
Fuel tank capacity	11.6 US gal

Hydraulic system

Duty pump	Double variable- & two-gear pump
Flow rate	30.1 US gpm
Operating pressure for working and traction hydraulics	3,481 psi
Operating pressure Slewing gear	3,041 psi
Hydraulic oil tank	10.2 US gal

Undercarriage

Travel speed max.	2.7 mph
Chain width	11.8 in
Ground clearance	11 in

Dozer Blade

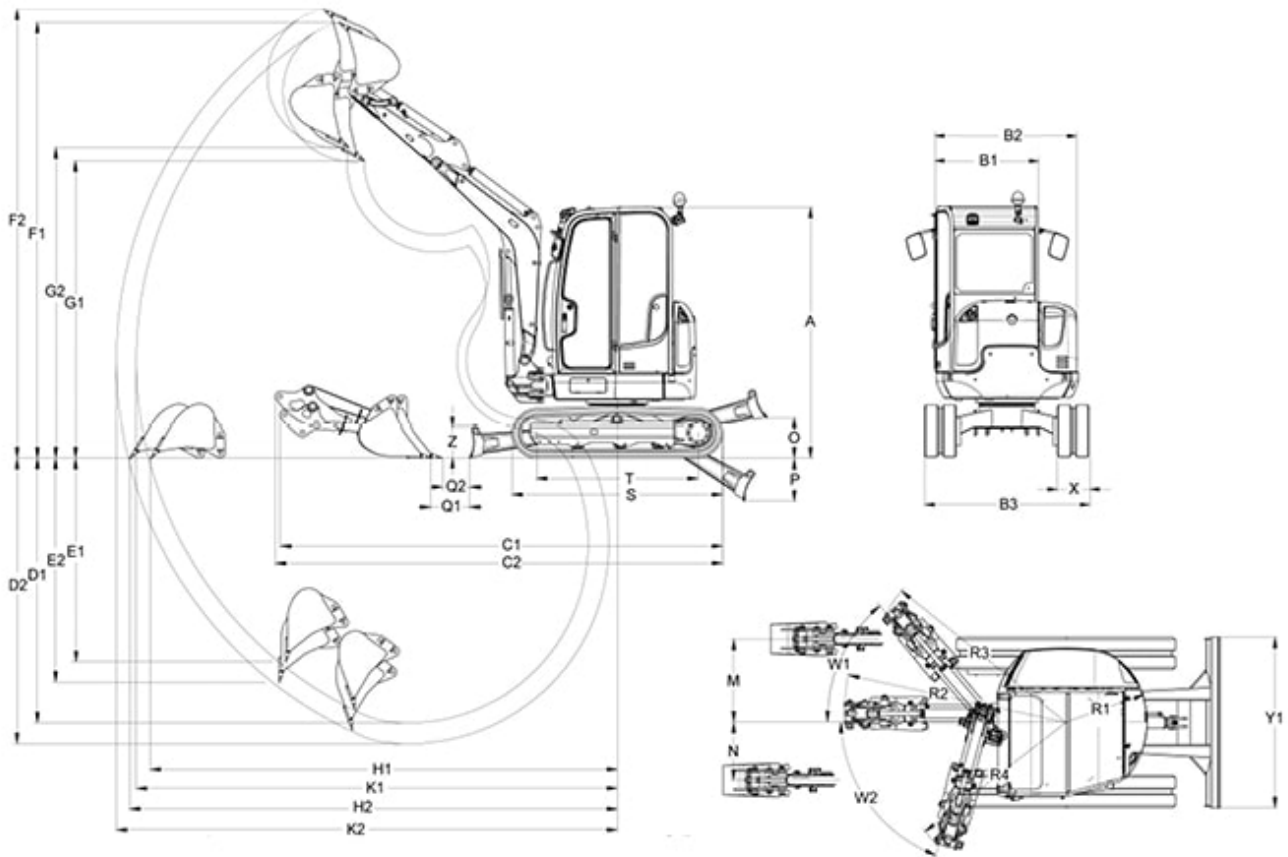
Width	68.5 in
Height	13.6 in
Stroke - Above ground	15.4 in
Stroke - Below ground	17.7 in

Sound level

Sound level (LwA) acc. to 2000/14/EC	95 dB(A)
Cabin - specified sound pressure level LpA acc. to ISO 6394	77 dB(A)

a

EZ38 Dimensions



			VDS
A	Height	98.4 in	101.1 in
B1	Width - Cab	39 in	39 in
B2	Width - Revolving superstructure	63 in	63 in
B3	Width - Chassis	68.5 in	68.5 in
C1	Transport length - Standard Dipperstick	188.9 in	186.9 in
C2	Transport length - Long Dipperstick	189.9 in	188.7 in
D1	Digging depth max. - Standard Dipperstick	122.3 in	119.4 in
D2	Digging depth max. - Long Dipperstick	132.2 in	129.3 in
E1	Insertion depth - Standard Dipperstick	93.9 in	91 in
E2	Insertion depth - Long Dipperstick	103.3 in	100.4 in
F1	Insertion height - Standard Dipperstick	178.3 in	181 in
F2	Insertion height - Long Dipperstick	183.4 in	186.1 in
G1	Dump height max. - Standard Dipperstick	130.6 in	133.3 in
G2	Dump height max. - Long Dipperstick	135.7 in	138.4 in
K1	Digging radius max. - Standard Dipperstick	208.7 in	208.5 in
K2	Digging radius max. - Long Dipperstick	217.9 in	217.8 in
H1	Range - Standard Dipperstick	204.4 in	202.1 in
H2	Range - Long Dipperstick	213.8 in	210.6 in

M	Arm displacement to centre of bucket, right side	29.1 in	29.1 in
N	Arm displacement to centre of bucket, left side	23.2 in	23.2 in
O	Lift height - Above ground	15.2 in	14.8 in
P	Scraping depth - Below ground	17.7 in	18.1 in
W1	Turning angle max. of the arm system to the right	55 °	55 °
W2	Turning angle max. of the arm system to the left	70 °	70 °
--	Chain width	11.8 in	11.8 in
R2	Boom slewing radius - Middle	93.6 in	93.6 in
R3	Boom slewing radius - Right	87.4 in	87.4 in
R4	Boom slewing radius - Left	78.1 in	78.1 in
S	Length - Track	80.9 in	80.9 in
Y1	Width - Dozer blade	68.5 in	68.5 in
Z	Height - Dozer blade	14 in	14 in

Please note: that product availability can vary from country to country. It is possible that information / products may not be available in your country. More detailed information on engine power can be found in the operator's manual; the stated power may vary due to specific operating conditions. Subject to alterations and errors excepted. Applicable also to illustrations.
Copyright © 2020 Wacker Neuson SE.